



## Quick Installation Guide

### Wireless AC1750 Wave 2 Dual-Band PoE Access Point

This document will guide you through the basic installation process for your new D-Link Wireless AC Access Point.

**DAP-2680**



Quick Installation Guide  
Installationsanleitung  
Guide d'installation  
Guía de instalación  
Guida di Installazione  
Краткое руководство по установке  
Guia de Instalação Rápida  
快速安裝指南  
Petunjuk Pemasangan Cepat  
クイックインストールガイド

Documentation also available on  
CD and via the D-Link Website

---

# DAP-2680 Quick Install Guide

This installation guide provides basic instructions for installing the DAP-2680 Wireless Access Point on your network. For additional information about how to use the Access Point, please see the User's Manual which is available on the CD included in this package or from the D-Link support website.

## System Requirements

Minimum System Requirements:

- CD-ROM Drive
- an Ethernet port, or an installed Ethernet adapter
- Internet Explorer 11, Safari 7, Firefox 28, Google Chrome 33 or later versions of these browsers

## 1. Package Contents

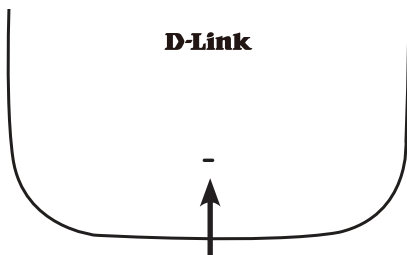
- DAP-2680 802.11ac Power over Ethernet (PoE) Access Point
- Power Adapter (Optional)
- Mounting Brackets
- Ceiling Brackets
- Ethernet Cable
- CD-ROM
- Quick Install Guide

If any of the above items are missing, please contact your reseller.

NOTE no PSU supplied. To power the units use an D-Link 802.3at PoE switch or the D-Link DPE-301GI PoE injector.

## 2. Hardware Overview

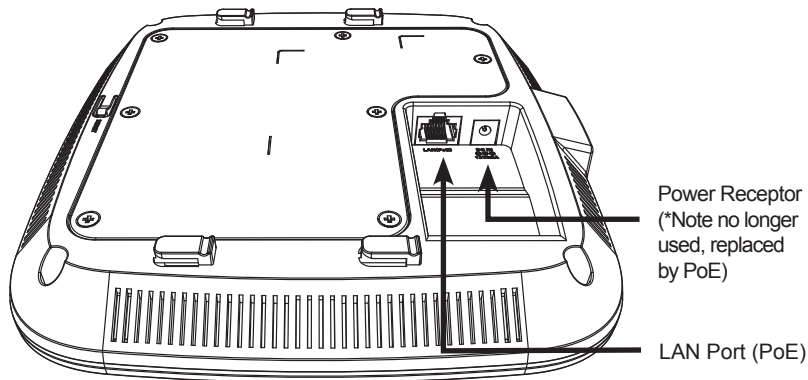
### LED



#### Power/Status LED - Dual color (Red/green)

- . Flash Red during booting up or malfunction
- . Static Green while it's ready/working
- . Solid Red while boot up fail

### Interfaces



\* PoE kit (injector and adapter) is NOT include in the package and it can be purchased with the model name "DPE-301GI".

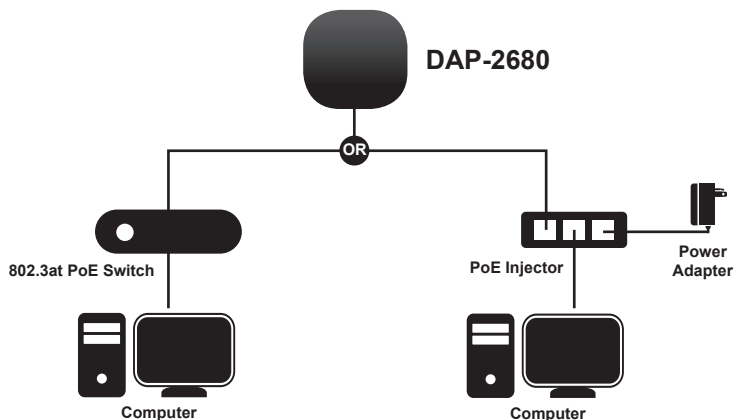
## 3. Installation

### Power on the access point

To power on the DAP-2680, you can use ONE of the following methods:

1. Plug one end of your Ethernet cable into the LAN port of the DAP-2680, and the other end into a port on a 802.3at PoE switch.
2. Purchase separately a DPE-301GI PoE injector if you need to connect the Access Point without a 802.3at PoE Switch.

### Configure the access point



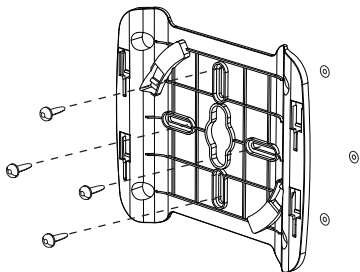
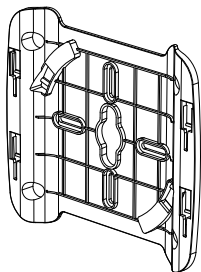
To set up and manage the DAP-2680, use one of the following methods:

1. Connect the access point and your computer to the same switch. Manage the access point from the computer.  
Enter 192.168.0.50 in the address field of your browser, which is the default IP address of the access point.  
Log in to the Administration Web pages. The default login information is:  
Username: admin  
Password: (Leave the password field blank)
2. Connect the access point and your computer via DPE-301GI. Manage the access point from the computer.  
Ensure your computer is configured with a static IP address in 192.168.0.0/24 subnet.  
Launch a web browser, type the default IP address of the access point (<http://192.168.0.50>) and then press Enter.  
Log in to the Administration Web pages. The default login information is:  
Username: admin  
Password: (Leave the password field blank)

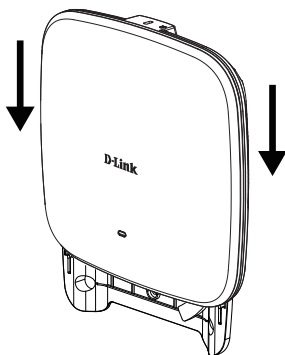
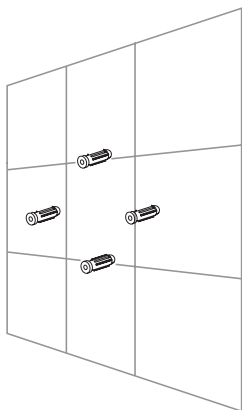
## Solid wall or ceiling

### Installation

1. Place the mounting bracket on a wall or ceiling.
4. Use the supplied screws to attach the mounting ring to the wall.



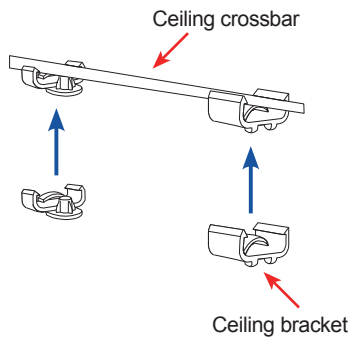
2. Mark the points where you will insert the screws. Take out the mounting ring.
5. Plug the Ethernet cable into the LAN port on the access point.
3. Drill holes in the marked points and insert the plastic wall anchors.
6. To attach the access point to the mounting bracket.



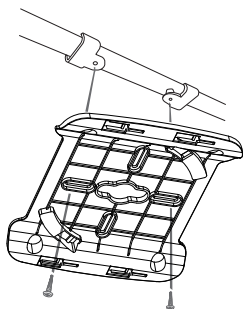
## Mounting with a ceiling bracket

### Installation

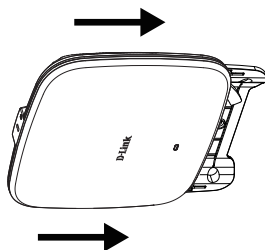
1. Clip two ceiling brackets onto the ceiling panels. Make sure both brackets are in line with each other.



2. Use the provided screws to attach the mounting ring to the ceiling bracket.



3. Plug the Ethernet cable into the LAN port on the access point.
4. Place the DAP-2680's male bracket in the mounting bracket's female bracket. Click DAP-2680 and the mounting bracket to lock in position.



---

**CE Mark Warning:**

This is a Class B product. In a domestic environment, this product may cause radio interference, in which case the user may be required to take adequate measures.

**Federal Communication Commission Interference Statement**

This equipment has been tested and found to comply with the limits for a Class B digital device, pursuant to Part 15 of the FCC Rules. These limits are designed to provide reasonable protection against harmful interference in a residential installation. This equipment generates, uses and can radiate radio frequency energy and, if not installed and used in accordance with the instructions, may cause harmful interference to radio communications. However, there is no guarantee that interference will not occur in a particular installation. If this equipment does cause harmful interference to radio or television reception, which can be determined by turning the equipment off and on, the user is encouraged to try to correct the interference by one of the following measures:

- Reorient or relocate the receiving antenna.
- Increase the separation between the equipment and receiver.
- Connect the equipment into an outlet on a circuit different from that to which the receiver is connected.
- Consult the dealer or an experienced radio/TV technician for help.

This device complies with Part 15 of the FCC Rules. Operation is subject to the following two conditions: (1) This device may not cause harmful interference, and (2) this device must accept any interference received, including interference that may cause undesired operation.

**FCC Caution:** Any changes or modifications not expressly approved by the party responsible for compliance could void the user's authority to operate this equipment.

802.11g operation of this product in the U.S.A. is firmware-limited to channels 1 through 11.

Operations in the 5.15-5.25GHz band are restricted to indoor usage only.

**IMPORTANT NOTE:**

**FCC Radiation Exposure Statement:**

This equipment complies with FCC radiation exposure limits set forth for an uncontrolled environment. This equipment should be installed and operated with minimum distance 32cm between the radiator & your body.

The availability of some specific channels and/or operational frequency bands are country dependent and are firmware programmed at the factory to match the intended destination. The firmware setting is not accessible by the end user.

For detailed warranty information applicable to products purchased outside the United States, please contact the corresponding local D-Link office.

This device and its antennas(s) must not be co-located or operating in conjunction with any other antenna or transmitter except in accordance with FCC multi-transmitter product procedures.

---